

Mounting Flange designed to ISO 5211 to accommodate direct mounting of various actuator types without additional modification

Flats & Groove Seal

Smoothly finished disc and seat flats, combined with a spring loaded disc ring provide a tight disc and stem seal to prevent corrosive media from getting into the valve body, and outside to the environment.

Heavy Duty PTFE seat provides excellent resistance to corrosive media.

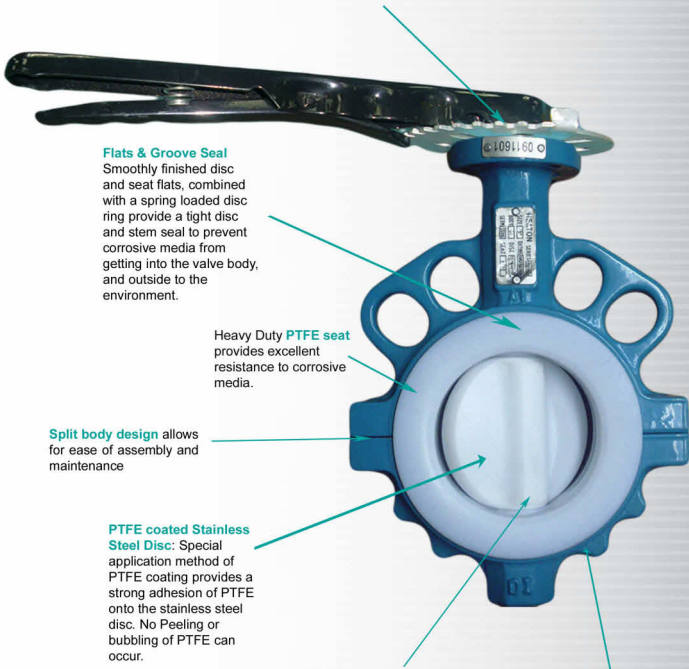
Split body design allows for ease of assembly and maintenance

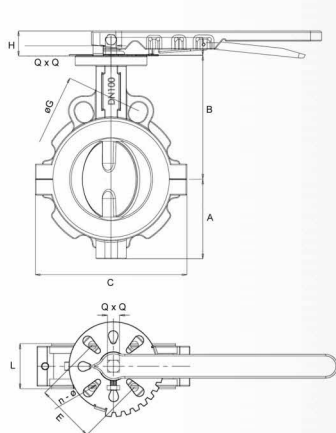
PTFE coated Stainless Steel Disc:

Special application method of PTFE coating provides a strong adhesion of PTFE onto the stainless steel disc. No Peeling or bubbling of PTFE can occur.

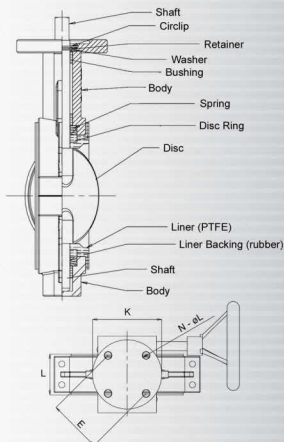
Pinless design removes the risk of leakage from the lost of the pin. Splined (12") or Square (above 12") disc-to-shaft positive connection provides vibration-free operation without backlash. Field replaceable

Resilient rubber backing provides seating force between the disc and the liner.





**Lever Operated for
80 and 100mm**



**Gear Operated for
125mm and above**

Part Name	Material
Body	Ductile Iron, Carbon Steel, Stainless Steel
Lower Shaft	Stainless Steel 316
Seat	PTFE
Disc	CF8M + PTFE
O Ring	Viton
Upper Shaft	Stainless Steel 316
Lever	Malleable Iron
Gear	Component

DN (mm)	Dimension											
	A	B	C	L	H	K	G	n-d1	N - øL	E	ø	Q x Q
80	90	138	142	46	15	65	152.5	4 - 19	4 - 6.7	50	12.7	9
100	115.8	158	178	52	15	90	190.5	8 - 19	4 - 10.3	70	15.8	11
125	132.5	174	202	56	15	90	216	8 - 22	4 - 10.3	70	19	14
150	145.5	190	234	56	18	90	241.5	8 - 22	4 - 10.3	70	19	14
200	179.5	229	286	60	24	125	298.5	8 - 22	4 - 14.5	102	22.2	17
250	216.5	269	350	68	24	125	362	12 - 25	4 - 14.6	102	28.6	22
300	253.5	300	402	78	28	125	432	12 - 25	4 - 14.7	102	31.8	22

Heaton Valves reserves the right to change design, materials or specifications without notice and free of obligation to furnish or install such changes on products previously sold.



Actuation Packages

Heaton also offers a range of actuated solutions to complement the resilient seated butterfly valves.

The range of Heaton actuators includes Rack and Pinion, Scotch Yoke, Compact and Miniature actuators and also Heavy Duty Electric Actuator.

A special sizing program is used to size all actuators to suit the valves perfectly.

For additional information on actuators, please contact our sales office for more information.

Accessories

Accessories for actuated butterfly valves are also available.

Manual Override - Available in Cast Iron or Aluminium Alloy and covers a torque range of up to 3600 Nm. Highly durable and long lasting.

Positioning Monitoring Switchbox - Enclosure is weather -proof manufactured to IP67 (NEMA 4 & 4X) - please enquire if an ex-proof switchbox is required.

SPDT mechanical switches are provided in our standard package but this can be changed to proximity switches if required. Enquire for additional information.



HOW TO ORDER

Heaton figure numbers are designed to cover essential features. When ordering, please show figure numbers to avoid any misunderstanding of your requirements. A detailed description must accompany any special orders.

Example

1 Body Size	2 Body Type	3 Body Material	4 Disc Material	5 Seat Material	6 Shaft Material	7 Bushing Material	8 O-Ring Material	9 Valve Operator	10 Special Code
3"	HBW1	2	2	2	1	1	1	L	L

1. Valve Size

For type HBW and HBW1 - 1-1/2" to 40"	For type HBL and HBL1 - 1-1/2" to 24"
---------------------------------------	---------------------------------------

For type HBD and HBD1 - 16" to 48"	For type HBWP and HBLP - 1-1/2" to 12"
------------------------------------	--

2. Body Type

HBW - Wafer DIN	HBL - Lug DIN	HBD - Double Flanged DIN
-----------------	---------------	--------------------------

HBW1 - Wafer ANSI	HBL1 - Lug ANSI	HBD1 - Double Flange ANSI
-------------------	-----------------	---------------------------

HBWP - Wafer PTFE DIN	HBLP - Lug PTFE DIN
-----------------------	---------------------

HBWP1 - Wafer PTFE ANSI	HBLP1 - Lug PTFE ANSI
-------------------------	-----------------------

3. Body Material

1 - Cast Iron	2 - Ductile Iron	3 - Carbon Steel	4 - Stainless Steel
---------------	------------------	------------------	---------------------

5 - Aluminium Bronze	6 - Others, to specify
----------------------	------------------------

4. Disc Material

1 - Ductile Iron + Ni	2 - Bronze	3 - CF8	4 - CF8M
-----------------------	------------	---------	----------

5 - CF8M + PTFE Coating	6 - Ductile Iron + Halar Coating	7 - Others, must specify in text description
-------------------------	----------------------------------	--

5. Seat Material

1 - NBR	2 - EPDM	3 - PTFE	4 - Viton
---------	----------	----------	-----------

5 - Neoprene	6 - Hyalon	7 - Silicon	8 - Others, to specify
--------------	------------	-------------	------------------------

6. Shaft Materials

1 - 416 Stainless Steel	2 - 316 Stainless Steel	3 - 420 Stainless Steel
-------------------------	-------------------------	-------------------------

4 - 431 Stainless Steel	5 - Monel	6 - Others, to specify
-------------------------	-----------	------------------------

7. Bushing Materials

1 - PTFE	2 - 316 Stainless Steel	3 - Others, to specify
----------	-------------------------	------------------------

8. O-ring Materials

1 - NBR	2 - EPDM	3 - Others, to specify
---------	----------	------------------------

9. Valve operator

L - Lever	G - Gear
-----------	----------

A - Actuated, to specify

10. Accessories

L - Locking Device	LS - Limit Switch
--------------------	-------------------

S - To specify

The Heaton name has been synonymous with cast steel valves since Arthur Heaton began a valve manufacturing business in Halifax, England, in 1943.

Heaton Valves presently supplies over forty countries worldwide with a range of valves for the oil & gas, petrochemical/chemical, power, mining and many other markets.

This catalogue provides the basic specifications and dimensions for ordering Heaton Resilient Seated Butterfly Valves. The illustrations are of a particular size of each product line and do not necessarily represent all sizes in detail.

The designs and materials may vary in accordance with Heaton Valves policy of continuous improvement.

Heaton Valves

Heaton Valves (Head Office)

Heaton House, Riverside Drive,
Hunsworth Lane
Bradford, England
Tel: +44 (0) 1274 700 000
Fax: +44 (0) 1274 700 111
Website: www.heaton-valves.co.uk

Heaton Valves Division (Australia)

3, Corporate Avenue
Rowville, Victoria 3178
Tel: +61 1300 654 700
Fax: +61 1300 654 073
Sales Enquires:
ausales@mrctransmark.com

Heaton Valves Division (Asia)

6, Tuas Loop
Singapore, 637343
Tel: +65 6865 1020
Fax: +65 6861 0160
Sales Enquires:
INQ@mrctransmark.com

Heaton Valves Division (New Zealand)

4a George Bourke Drive
Mt Wellington, Auckland
Tel: + 64 508 829 567
Fax: +64 9 276 4145
Sales Enquires:
nzsales@mrctransmark.com